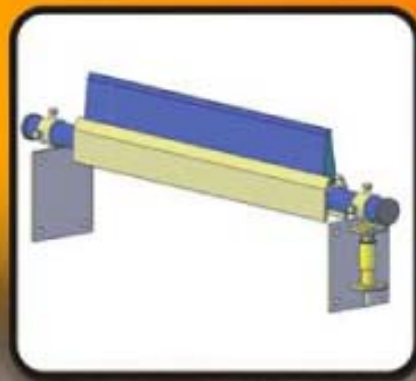
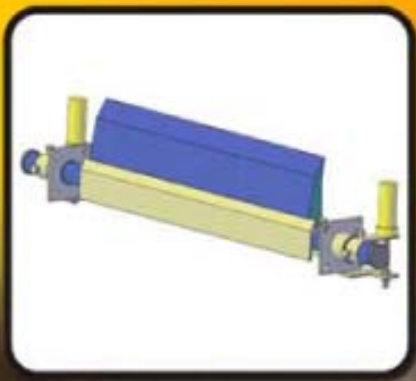


Belt Cleaner System

Primary Belt Cleaner

Secondary Belt Cleaner

V-Plough Cleaner





Primary belt cleaner is cleaning a belt that is placed on the front of the pulley that serves as a major cleanup in the conveyor system, the primary belt cleaner should have a strong frame construction but flexible at the point of contact with the conveyor belt so as not to damage the surface of the belt cleaner



LIGHT DUTY

Model	Belt Width	A	B	C	N
PBC-45-L	450	300	1500	380	3
PBC-50-L	500	450	1500	530	3
PBC-60-L	600	450	1650	680	3
PBC-65-L	650	600	1700	680	3
PBC-75-L	750	600	1800	680	4
PBC-80-L	800	600	1900	680	4
PBC-90-L	900	750	1950	830	5
PBC-100-L	1000	900	1950	980	6
PBC-105-L	1050	900	2150	980	6
PBC-120-L	1200	1050	2250	1130	7

HEAVY DUTY

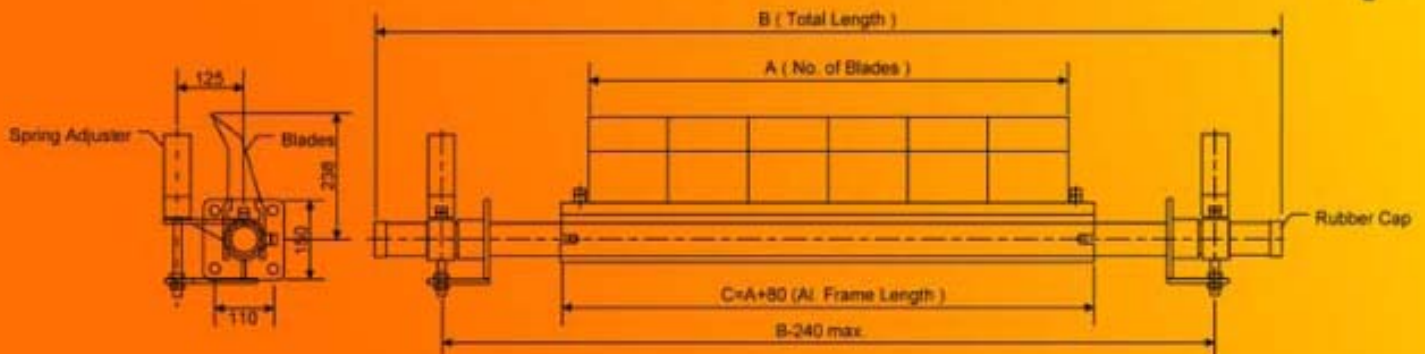
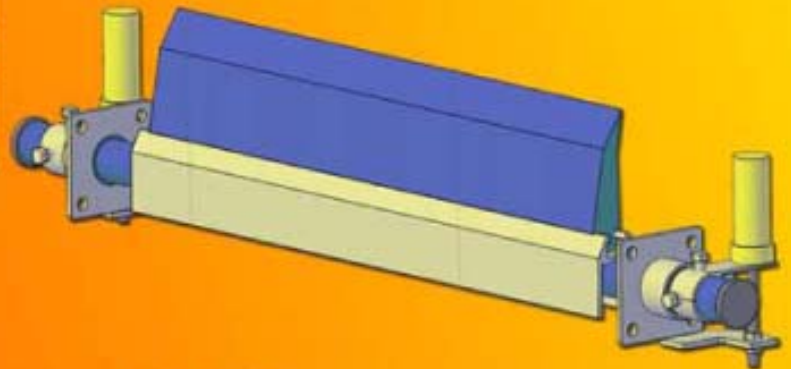
Model	Belt Width	A	B	C	N
PBC-140-H	1400	1200	2450	1280	8
PBC-150-H	1500	1350	2600	1430	9
PBC-160-H	1600	1350	2600	1430	9
PBC-180-H	1800	1500	2750	1580	10
PBC-200-H	2000	1650	2950	1730	11
PBC-210-H	2100	1800	3050	1880	12
PBC-220-H	2200	1800	3150	1880	12
PBC-230-H	2300	2100	3350	2180	14
PBC-240-H	2400	2100	3500	2250	14
PBC-250-H	2500	2250	3500	2250	15
PBC-260-H	2600	2250	3700	2330	15

Benefits

- Solid heavy duty urethane blade provides efficient, first stage cleaning. Design helps prevent material build up
- The Primary cleans at the most efficient point on the conveyor the belt head section
- Fast and easy one bolt, slide out blade replacement saves time and money
- Designed specifically for harsh applications, the rugged design can succeed where other cleaners fail. When used with a Potech heavy duty secondary cleaner, excellent belt cleaning is obtained.
- Simple design offers quick, easy installation

Construction

- Extra heavy segmented molded urethane blades
- Adjustable spring tension turret for simple adjustable blade tension site gauge gives confirmation of optimal tension
- Cast aluminum frames





Secondary belt cleaner works to help clean the conveyor belt after being cleaned by the primary belt cleaner, because cleaning is done by the primary belt cleaner is not maximized should be helped by a secondary belt cleaner. Secondary belt cleaner mounting position should not be too far from the primary, because it will result in the material falls out of place which resulted in a gross area of the drive pulley



Model	Belt Width	A	B	C	N
SBC-45-PU	450	381	1500	461	5
SBC-50-PU	500	457	1550	537	6
SBC-60-PU	600	533	1650	613	7
SBC-70-PU	700	610	1750	680	8
SBC-75-PU	750	686	1800	680	9
SBC-80-PU	800	762	1900	830	10
SBC-90-PU	900	838	1950	980	11
SBC-100-PU	1000	915	2100	980	12
SBC-105-PU	1050	991	2150	1071	13
SBC-120-PU	1200	1143	2250	1223	15
SBC-140-PU	1400	1293	2450	1375	17
SBC-150-PU	1500	1448	2600	1528	19
SBC-160-PU	1600	1524	2750	1604	20
SBC-180-PU	1800	1753	2950	1833	23
SBC-200-PU	2000	1905	3150	1985	25
SBC-210-PU	2100	2128	3334	2188	28
SBC-220-PU	2200	2175	3450	2255	29
SBC-230-PU	2300	2175	3550	2255	29
SBC-240-PU	2400	2432	3639	2416	32
SBC-250-PU	2600	2432	3639	2493	32

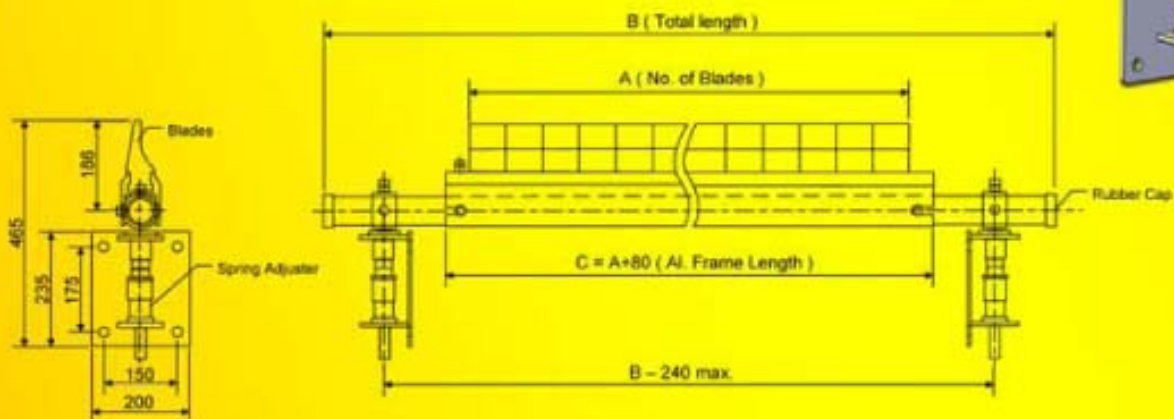
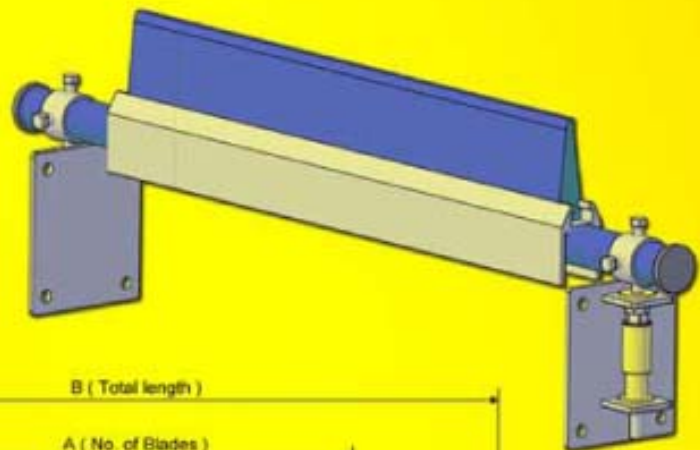
* Dimension in mm

Benefits

- Segmented urethane blades give long wear with simple one bolt slide out replacement
- Heavy cast aluminum frame construction provides long life in all applications
- Special spring tensioner automatically adjusts blades for maximum cleaning efficiency
- Horizontal and vertical adjustment allows for easy installation
- Saves up to 50% on replacement blades

Construction

- Extra heavy segmented molded urethane blades
- Heavy duty coil springs
- Extruded aluminum frames





Return V-belt cleaner works to clean the inside of the conveyor belt so that the material does not enter between the tail pulley and conveyor belt, V-return belt cleaner is installed close to the tail pulley to be more effective cleaning



Model		Belt Width	A	B	C
VP-50-RB	VP-50-PU	500	406	228	280
VP-60-RB	VP-60-PU	600	508	280	330
VP-75-RB	VP-75-PU	750	430	165	406
VP-90-RB	VP-90-PU	900	482	241	482
VP-105-RB	VP-105-PU	1050	635	317	560
VP-120-RB	VP-120-PU	1200	787	394	635
VP-140-RB	VP-140-PU	1400	940	470	711
VP-150-RB	VP-150-PU	1500	1090	546	787
VP-180-RB	VP-180-PU	1800	1400	698	940

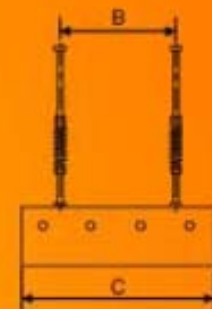
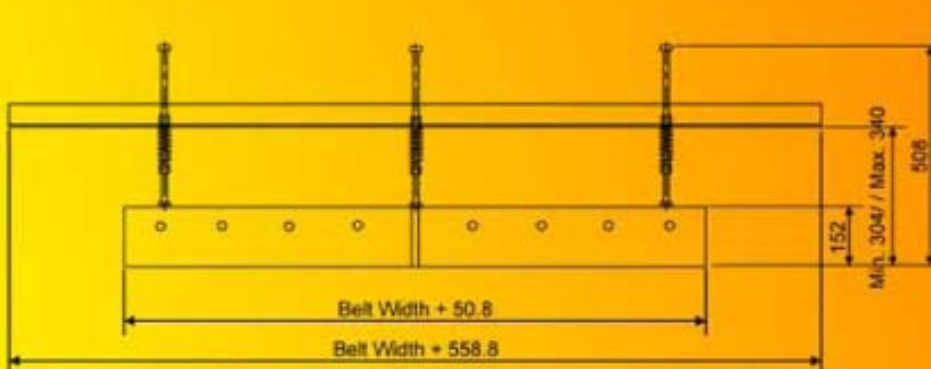
Dimension in mm

Benefits

- Maximum level of cleaning on return side of belt Prevents foreign material build up and decreases resultant belt and roller damage.
- Diverts material when mounted on the top side of the belt, discharging material to one or both sides of conveyor belt
- Protects tail pulley and belt when used in front of tail pulley as a tramp material diverter and bottom belt cover cleaner

Construction

- Standard carbon steel configuration
- Heavy duty construction with 1" thick urethane wiper blades for long life and efficient cleaning





POLYURETHANE BLADE

Material	Low friction polyurethane	Features : Effectively and safety cleaning running belt Fire resistant No static accumulation Durable Module design for easy replacement
Temperature	Red : max. 150°C, blue : max.80°C	
Tensile Strength	285 kg/cm ² (ASTM D412)	
Laceration Resistance	115 kg/cm (ASTM D0624)	
Abrasion Resistance	35 mg (ASTM D4060) TABER H-22 1000g 500 rpm	



* Small Primary Blade



* Large Primary Blade



* Secondary Blade

ALUMINUM HOUSING

Material	Aluminum with glaze finish	Features : Designed with smooth edge to avoid contact when blades are worn out profile. ensure good grips upon blade base.
Property	Finish Coating Anodizing	



* Large Aluminum Housing



* Small Aluminum Housing

SPRING TENSIONER

TENSION SPRING	Provide required tension for blade to conveyor belt, enough to clean, not excessively to create friction/wear Low maintenance
SPRING HOUSING	Protection of tension spring Marked for tension adjustment
ADJUSTER	For proper tensioning
PIPE CLAMP	Ensure firm grip of pipe



* Primary Spring Tensioner



* Secondary Spring Tensioner

Potech belt cleaner is a cleaner that is made to meet the needs of customers who want the area conveyor unit which they have kept clean of residual material that was brought by the conveyor.

Potech belt cleaner having such a design has advantages :

- Designed to efficiently clean the conveyor belt
- Removes debris build-up, increasing performance of conveyor
- Versatile and lightweight design allows for quick and easy installation in various belt configurations
- Light weight allows for installation in tight locations
- Economical with long blade life
- Minimal maintenance required
- Simple blade change out for quick maintenance

With these advantages, we believe potech belt cleaner can be a trusted product in the world of conveyor systems.

We also continue to make design improvements and effectively work with a belt cleaner to hear complaints and suggestions we get from customers, so eventually we can be a manufacturer of belt cleaner that can satisfy customer needs

POLYTEK INDO MANDIRI

Jl. Raya Narogong Km. 12.5 Ciketing Udik
Bantar Gebang , Bekasi - Jawa Barat Indonesia
Phone : +6221 37941951
Fax : +6221 82484359
Email : m_ramadhan.polytek@yahoo.com

